

DELTA WATER TECHNOLOGY ®



Delta

WATER SOFTENERS



Delta

ONTARIO DUPLEX



- Non-electric operation
- Always soft water available
- Very high flow rates in service
- Limited salt and water consumption
- Free location of brine tank

100% GREEN



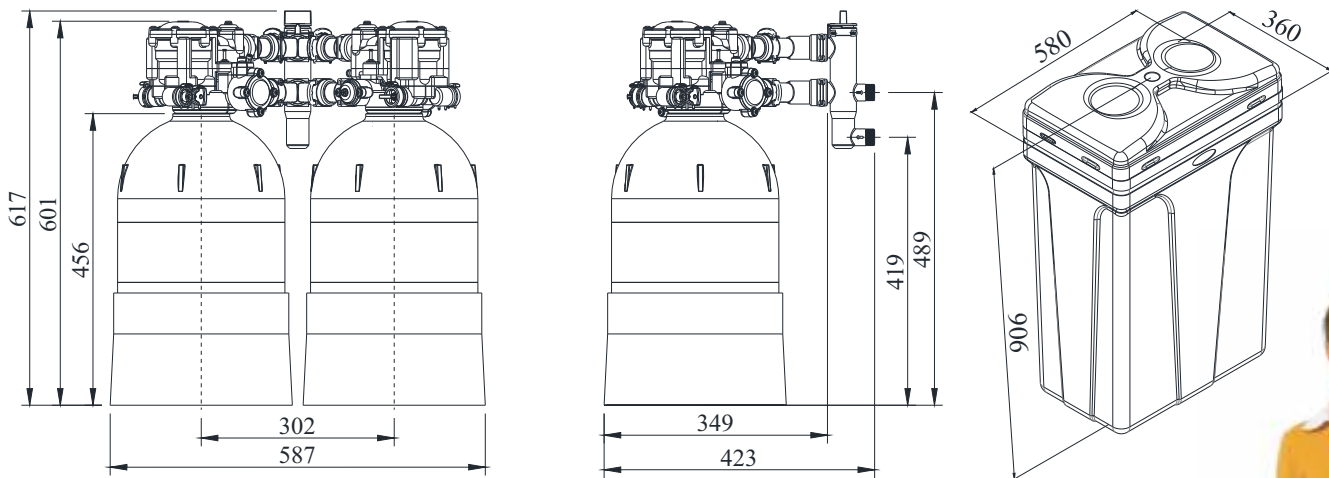


Delta

WATER SOFTENERS

ONTARIO DUPLIX

DIMENSIONS



TECHNICAL DATA

Connection	3/4" or 1"
Working Pressure	1 - 8 bar*
Flow Rate (Δp 1 bar)	3.7 m ³ /h
Exchange Capacity	2x 600 m ³ /ppm CaCO ₃
Water Usage / Regeneration	50 L (2x)
Salt Usage / Regeneration	1.2 kg (2x)
Regeneration Time	30 min (2x)
Max. Temperature	40°C
Volume of resin	12 L (2x)

* for a correct regeneration, Delta Softeners require a minimum outlet pressure of 0.8 bar.



Delta Water Engineering NV
 Waesdonckstraat 1, 2640 Mortsel (Antwerp), BELGIUM
 T +32 3 219 50 70
 E info@deltawaterengineering.com U www.deltawaterengineering.com

PWG
 POLLET WATER GROUP

